



SERVICE PARTS LIST

BULLETIN NO.
54-04-7010

SPECIFY CATALOG NO. AND SERIAL NO. WHEN ORDERING PARTS			REVISED BULLETIN	DATE
28 VOLT BATTERY				Feb. 2007
CATALOG NO.	48-11-2830	SERIAL NUMBER	A71A, A71B, A71C, A71D	
			WIRING INSTRUCTION	

EXAMPLE:

00	0
----	---

Component Parts (Small #)
Are Included When Ordering
The Assembly (Large #).

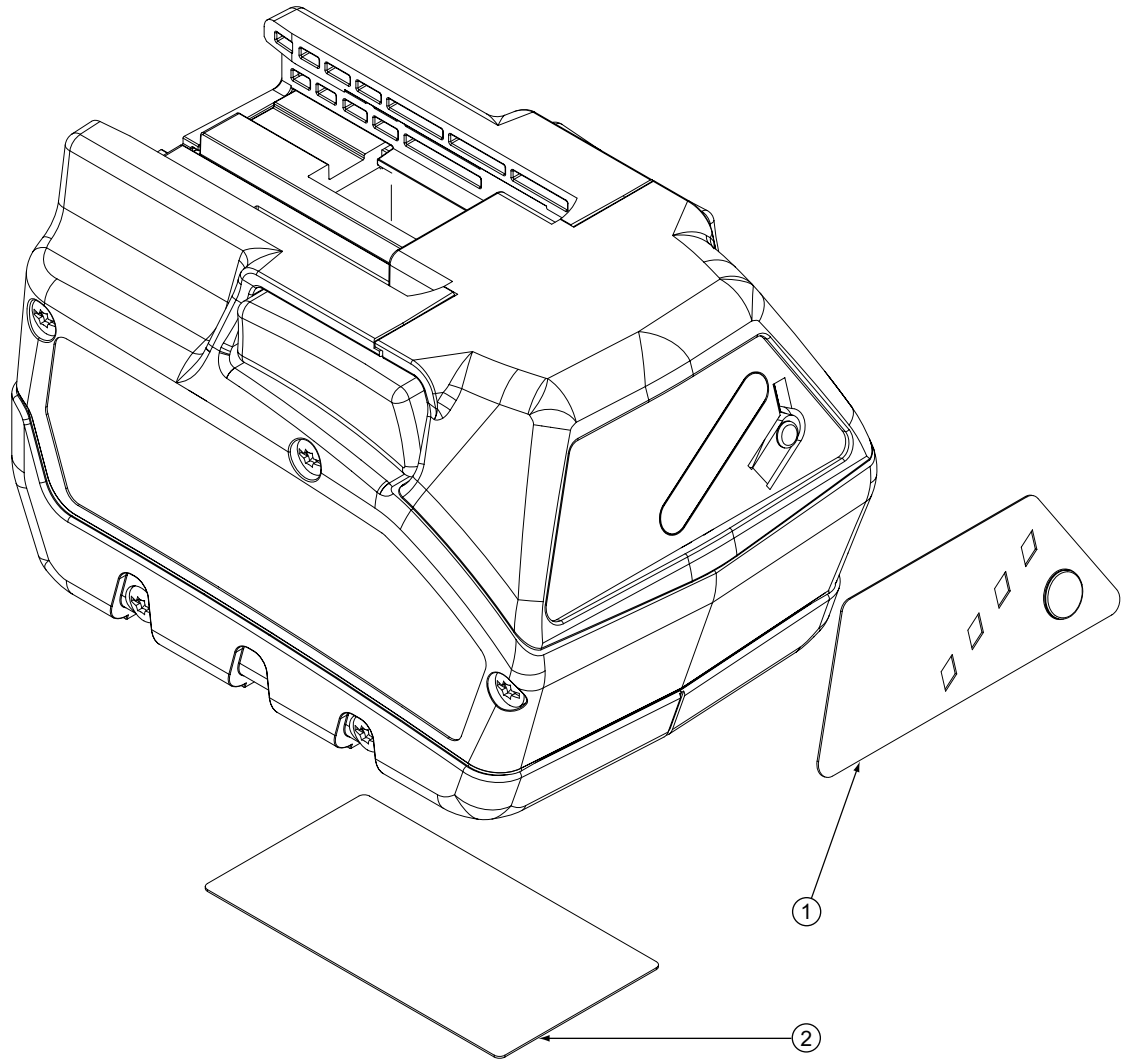


FIG.	PART NO.	DESCRIPTION OF PART	NO. REQ.
1	10-20-3620	Front Label	(1)
2	10-15-1290	Service Nameplate	(1)

FIG. NOTES
1, 2 A clean, dry surface is essential for proper performance for any adhesive system. The area intended for application of any adhesive label or nameplate must be prepared by cleaning with isopropyl alcohol. The solvent is to be applied with a clean, lint free applicator and the surface allowed to dry before applying the label or nameplate.