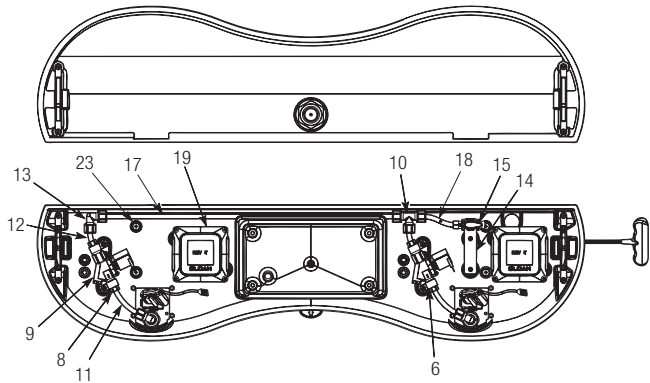
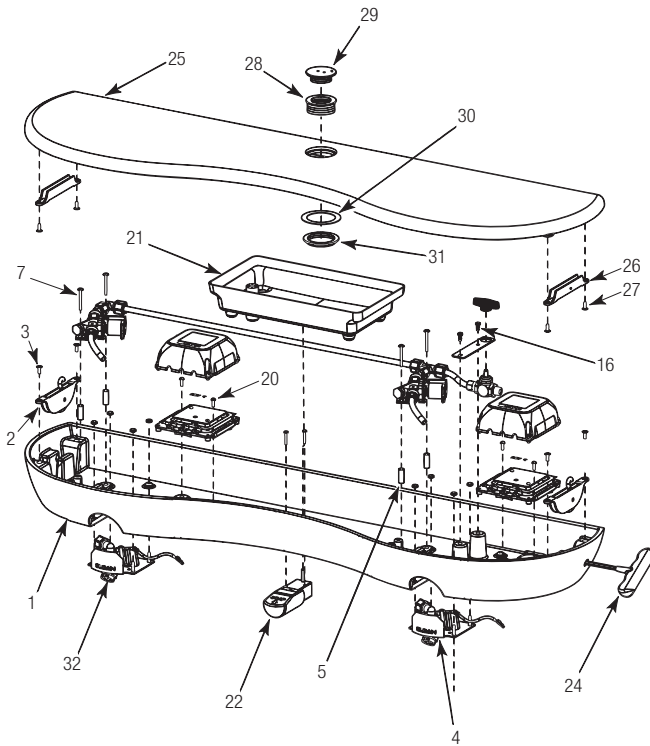


# SloanStone® EW-72000

with Soap Dispenser with Filler Cap



## PARTS LIST — EW-72000 SINK

Item No.	Code No.	Part No.	Description	
1.	—	EW-46	Electronics Enclosure 2 Station Machined	
2.	—	EW-41	Large Latch (2)	
3.	—	EW-27	Screw, Flat Head #10-24 x 1/2" Long (4)	
4.	<b>0387175</b>	EW-75-A	Sensor Plate Assembly (2) with Spray Head	
	<b>0365733</b>	ETF-729-A	Sensor Only	
5.	—	EW-8	Spacer, #8 x 1" Long (4)	
6.	—	EW-13	Mounting Clamp for ETF-370-A Solenoid (4)	
7.	<b>0387012</b>	EW-9	Screw, Truss Head #8-32 x 1-1/2" Long (4)	
8.	<b>0365249</b>	ETF-61	Male Connector (2)	
9.	<b>0305849PK</b>	ETF-370-A	Solenoid Valve Assembly	
10.	—	EW-19	Compression Tee Fitting 3/8" Tube	
11.	—	EW-89	Tube, 3/8" x 3-5/8"	
12.	—	EW-89	Tube, 3/8" x 1-7/8"	
13.	—	EW-18	Compression Elbow Fitting, 3/8" Tube	
14.	—	EW-5	Mounting Bracket for Shut-off Valve	
15.	—	EW-74	Panel Mount Ball Valve - 3/8" Compression Fitting	
16.	—	EW-36	Screw, Pan Head #8-32 x 7/16" Long (SEMS) (2)	
17.	—	EW-89	Tube, 3/8" x 25-1/4"	
18.	—	EW-89	Tube, 3/8" x 3-7/8"	
19.	<b>3365000</b>	ETF-450-A	Splash Proof Junction Box Assembly	
20.	—	EW-28	Screw, Round Head #8-32 x 1/2" Long (4)	
21. †	—	ESD-255-A	Manual Soap Reservoir Assembly	
22. †	—	ESD-1001-A	Soap Dispenser Assembly	
23.	—	EW-37	Screw, Truss Head 1/4-20 x 1-1/2" (4)	
	—	EW-26	Tube Support 3/8" (5) (not shown)	
	<b>0326045PK</b>	MIX-135-A	Thermostatic Mixing Valve (Below Deck) (not shown)	
	—	EW-87	Flexible Supply Hose, 2 Station (not shown)	
	—	EW-82-A	Wiring Harness, 2 Station (not shown)	
	<b>0365534PK</b>	ETF-233	Transformer Plug Type 120V/35VA (not shown)	
	<b>0365736</b>	ETF-731	Vandal Proof Key, Standard and Junior (not shown)	
24.	<b>0387096</b>	EW-96	T-Handle Hex Wrench, 7/32"	
25.	—	EW-48-X	Cover, Electronics Enclosure, 2 Station Machined	
26.	—	EW-42	Large Encased Receiver (2)	
27.	—	EW-27	Screw, Flat Head #10-24 x 1/2" Long (4)	
28. ‡	—	ESD-242	Sleeve for Fill Cap	
29. ‡	—	ESD-241	Fill Cap for Soap Reservoir	
30. ‡	—	EW-11	Gasket - Fill Cap Sleeve (Manual Soap Reservoir)	
31. ‡	—	ESD-243	Jam Nut for Fill Cap Sleeve	
	‡	<b>0346061</b>	ESD-249	Fill Cap Spanner (not shown)
32.	<b>3365757</b>	ETF-1037-A	Spray Head CP 0.5 gpm-VP Junior Size Male Thread with Key	

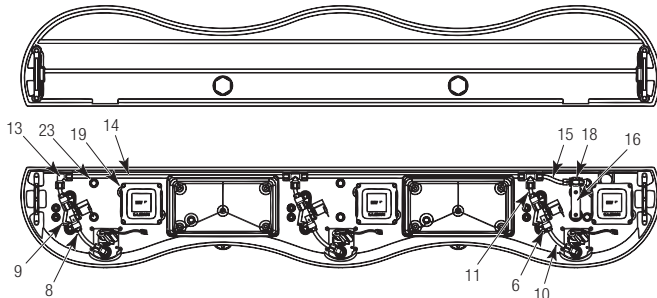
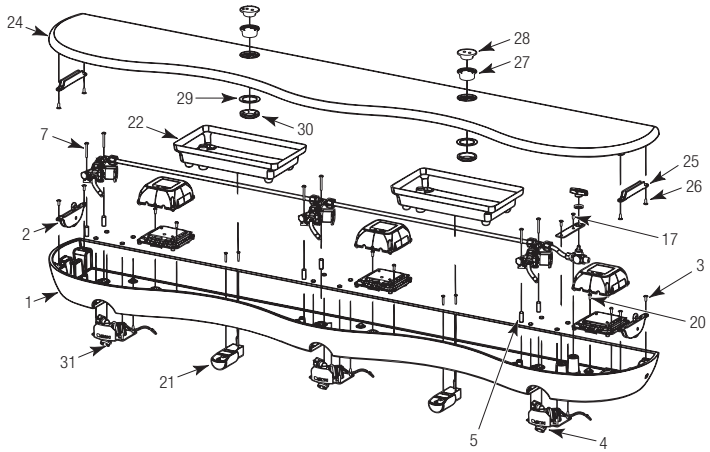
† Included on models with Soap Dispenser.

‡ Included on models with Fill Cap.

— Consult factory for replacement part.

# SloanStone® EW-73000

with Soap Dispenser with Filler Cap



## TRIPLE STATION SENSOR ACTIVATED SOLID SURFACE LAVATORY SYSTEM PARTS

Item No.	Code No.	Part No.	Description
1.	—	EW-56	Electronics Enclosure 3 Station Machined
2.	—	EW-41	Large Latch (2)
3.	—	EW-27	Screw, Flat Head #10-24 x 1/2" Long (4)
4.	<b>0387175</b>	EW-75-A	Sensor Plate Assembly (3) with Spray Head
	<b>0365733</b>	ETF-729-A	Sensor Only
4.	—	EW-75-A	Sensor Plate Assembly (3)
5.	—	EW-8	Spacer, #8 x 1" Long (6)
6.	—	EW-13	Mounting Clamp for ETF-370-A Solenoid (6)
7.	<b>0387012</b>	EW-9	Screw, Truss Head #8-32 x 1-1/2" Long (6)
8.	<b>0365249</b>	ETF-61	Male Connector (6)
9.	<b>0305849PK</b>	ETF-370-A	Solenoid Valve Assembly (3)
10.	—	EW-89	Tube, 3/8" x 3-5/8"
11.	—	EW-89	Tube, 3/8" x 1-7/8"
12.	—	EW-19	Compression Tee Fitting 3/8" Tube (2)
13.	—	EW-18	Compression Elbow Fitting, 3/8" Tube
14.	—	EW-89	Tube, 3/8" x 25-1/4"
15.	—	EW-89	Tube, 3/8" x 3-7/8"
16.	—	EW-5	Mounting Bracket for Shut-off Valve
17.	—	EW-36	Screw, Pan Head #8-32 x 7/16" Long (SEMS) (2)
18.	—	EW-74	Panel Mount Ball Valve - 3/8" Compression Fitting
19.	<b>3365000</b>	ETF-450-A	Splash Proof Junction Box Assembly (3)
20.	—	EW-28	Screw, Round Head #8-32 x 1/2" Long (6)
21.†	—	ESD-1001-A	Soap Dispenser Assembly (2)
22.†	<b>0346062</b>	ESD-245-A	Manual Soap Reservoir Assembly (2)
23.	—	EW-37	Screw, Truss Head 1/4-20 x 1-1/2" (6) (not shown)
	—	EW-26	Tube Support 3/8" (7) (not shown)
	<b>0326045PK</b>	MIX-135-A	Thermostatic Mixing Valve (Below Deck) (not shown)
	—	EW-92-A	Wiring Harness, 3 Station (not shown)
	<b>0365534PK</b>	ETF-233	Transformer Plug Type 120V/35VA (not shown)
	<b>0365736</b>	ETF-731	Vandal Proof Key, Standard and Junior (not shown)
	—	EW-97	Flexible Supply Hose, 3 Station (not shown)
	<b>0387096</b>	EW-96	T-Handle Hex Wrench, 7/32"
24.	—	EW-58-X	Cover, Electronics Enclosure, 3 Station Machined
25.	—	EW-42	Large Encased Receiver (2)
26.	—	EW-27	Screw, Flat Head #10-24 x 1/2" Long (4)
27. ‡	—	ESD-242	Sleeve for Fill Cap
28. ‡	—	ESD-241	Fill Cap for Soap Reservoir (2)
29. ‡	—	EW-11	Gasket for Fill Cap Sleeve (2)
30. ‡	—	ESD-243	Jam Nut for Fill Cap Sleeve (2)
	‡	<b>0346061</b>	Fill Cap Spanner (not shown)
32.	<b>3365757</b>	ETF-1037-A	Spray Head CP 0.5 gpm-VP Junior Size Male Thread with Key

† Included on models with Soap Dispenser.

‡ Included on models with Fill Cap.

— Consult factory for replacement part.