



GEN15S-GEN25B

Parts List
03-October-2017



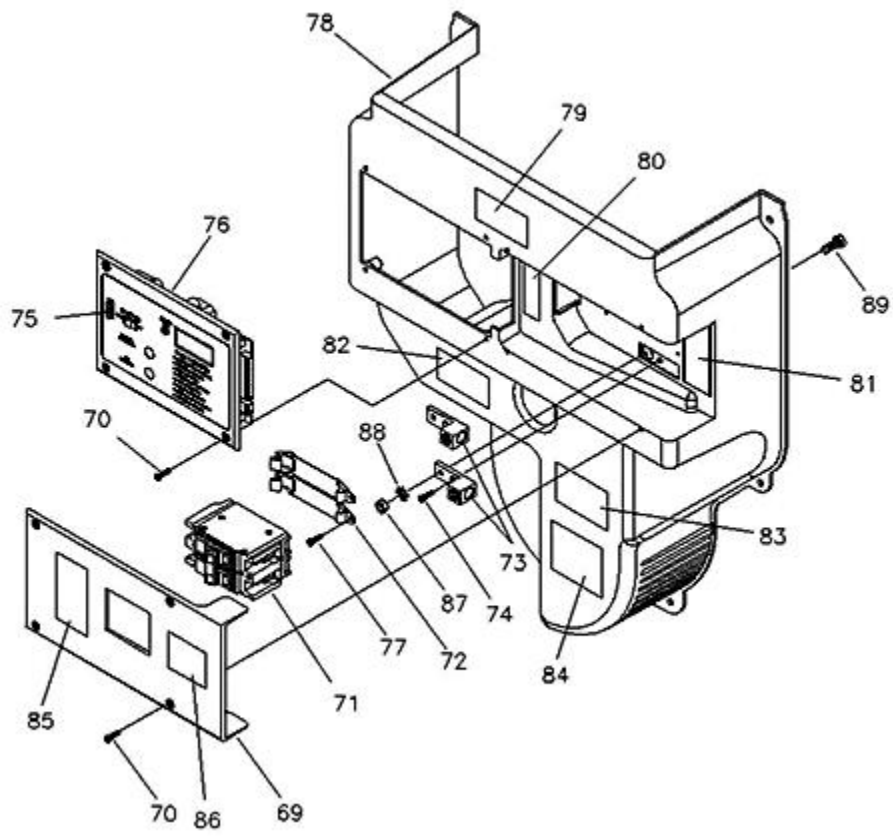
This parts list is current as of the above revision date.

See <http://www.rheempartslists.net/92-42800-GEN15S-GEN25B.pdf> for the current revision.

Standby Generators

No.	Notes	MODEL OUTPUT CAPACITY SERIES	GEN 15/25 S/B
CONTROL PANEL PARTS			
69		Assembly - Cover - Circuit Breaker w/Decals	CALL
70	2	Screw - 10 X 0.62 - Plastite	N/A
71	Stk	Breaker - Circuit 70A -2 Pole	198313GS
72		Bracket - Mounting Breaker	CALL
73		Lug - Ground Connect	CALL
74		Bolt - 1/4-10 X 1 - Plastite	CALL
75	Stk	Fuse - Auto Type 15A	198573GS
76	Stk	Assembly - Control Panel	202118GS
77		Screw - M4 - 1.79 X 16.0	CALL
78		Assembly - Duct - Engine Air w/Decals	CALL
79		Decal - Danger High Voltage	CALL
80		Decal - Terminal Block	CALL
81		Decal - Ground - Neutral	CALL
82		Decal - Warning - Outdoor Install	CALL
83		Decal - Caution - Standby	CALL
84		Decal - Warning - Auto Start	CALL
85		Decal - Caution - Electric Shock	CALL
86		Decal - Warning Shock	CALL
87	2	Nut - 1/4 - 20	N/A
88	2	Washer - Shakeproof - Ext M6 1/4	N/A
89	2	Hex Head Cap Screw - 1/4 - 20 X 3/4	N/A

No.	Notes	MODEL CAPACITY SERIES	GEN 15/25 S/B
CONTROL PANEL PARTS - NOT ILLUSTRATED			
		Harness - Wire - Control Board to Engine/Alternator	194825GS
		Harness - Wire - E1 and E2 Sensing	198517GS
	Stk	Connector - Terminal - 2 Pin	198515GS
	Stk	Connector - Terminal - 10 Pin	198516GS



Control Panel Drawing