



GEN15S-GEN25B

Parts List
03-October-2017

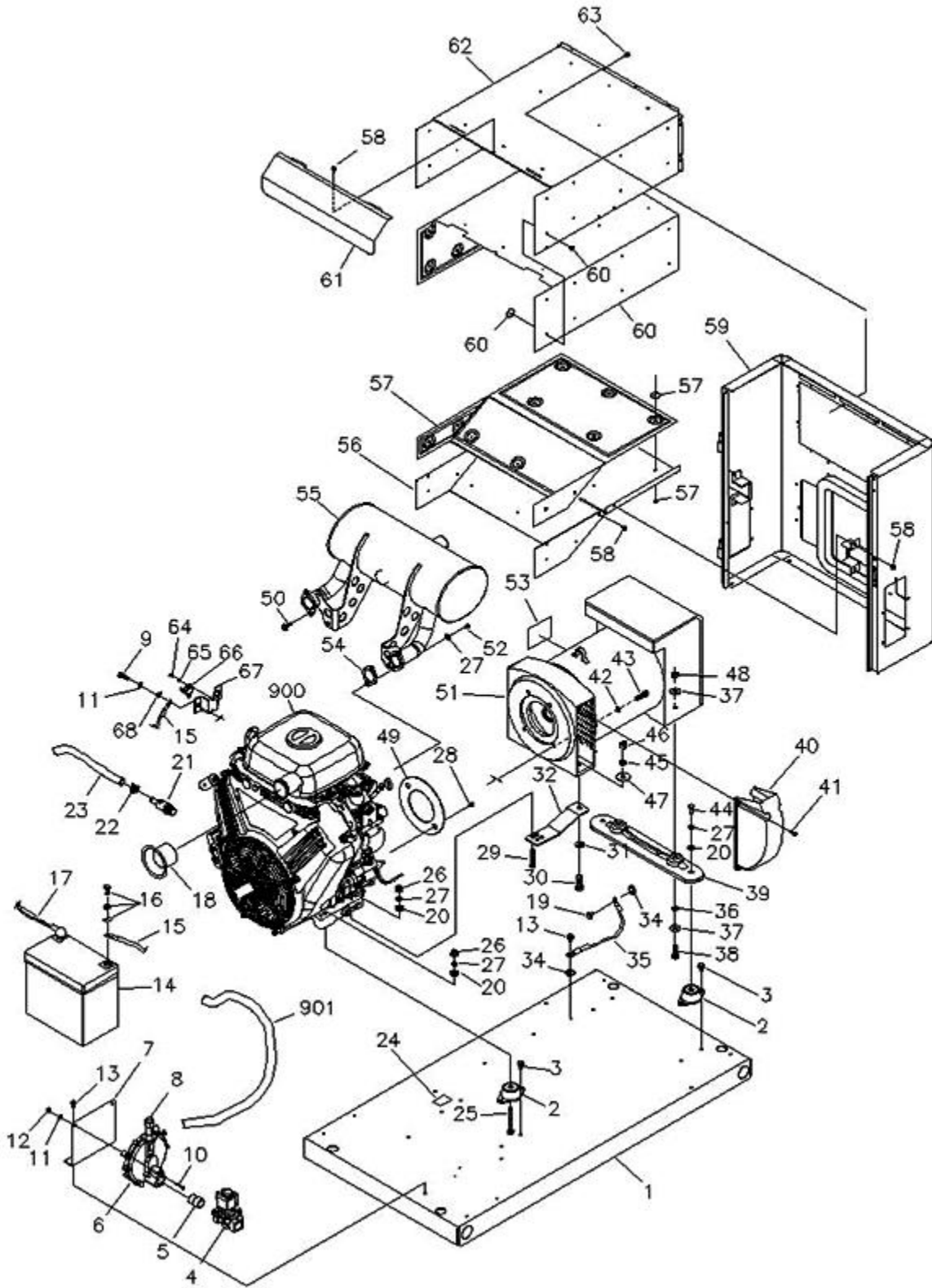


This parts list is current as of the above revision date.

See <http://www.rheempartslists.net/92-42800-GEN15S-GEN25B.pdf> for the current revision.

Standby Generators

No.	Notes	MODEL OUTPUT CAPACITY SERIES	GEN 15/25 S/B
GENERAL ASSEMBLY PARTS			
1		Base - Mounting (Before April 2007)	X201381GS
1		Base - Mounting (After April 2007)	X203030GS
2		Mount - Vibration	187594GS
3		Hex Head Screw - Trilobular 5/16 - 18 X 1/2	CALL
4	Stk	Solenoid - Gas Fuel	194683GS
5		Fitting - Coupling	194829GS
6	Stk	Regulator	194830GS
7	Stk	Bracket - Mounting Solenoid	195936GS
8		Assembly - Tee	842184
9	2	Hex Head Cap Screw - M6 - 1.0 X 16	N/A
10	2	Hex Head Cap Screw - M6 - 1.0 X 30	N/A
11	2	Washer - 1/4 Lock	N/A
12	2	Nut - M6 - 1.0	N/A
13		Hex Head Screw - Trilobular - 1/4 - 20 X 1/2	CALL
14	Stk	Battery	194818GS
15		Wire - A - Black	CALL
16		Kit - Battery Hardware	198913GS
17		Wire - A - Red	CALL
18		Tube - Air Cleaner	194813GS
19	2	Hex Head Cap Screw - M6 - 1.0 X 12	N/A
20	2	Washer - Flat 5/16 - M8	N/A
21	Stk	Valve - Oil Drain (Before 3/10/08)	186071GS
21	Stk	Valve - Oil Drain (After 3/10/08)	204025GS
22		Clamp - Hose Band	CALL
23		Hose - Oil Drain	186430GS
24		Decal - Oil Drain	CALL
25	2	Hex Head Cap Screw - 5/16 - 18 X 2.5 Full Thread	N/A
26	2	Nut - 5/16 - 18	N/A
27	2	Washer - Lock 5/16 - M8	N/A
28	2	Hex Head Cap Screw - 5/16 - 24 X 3/4 Sems	N/A
29	2	Hex Head Cap Screw - 5/16 - 18 X 2 Lg.	N/A
30	2	Hex Head Cap Screw - M12 - 1.75 X 35	N/A
31	2	Washer - M12	N/A
32		Support - Engine/Alternator - Black	CALL
33	2	Washer - Shakeproof Ext. M6-1/4	N/A
34		Wire - Ground	CALL
35	2	Washer - Lock - M10	N/A
36	2	Washer - Flat - M10	N/A
37	2	Hex Head Cap Screw - M10 - 1.5 X 30	N/A
38		Bracket - Mounting Alternator - Black	CALL
39		Duct - Air	CALL
40	2	Phillips Pan Head Machine Screw - M5 - 0.8 X 20	N/A
41	2	Washer - Lock 3/8	N/A
42	2	Allen Screw - 3/8 - 16 X 1-1/4	N/A
43	2	Hex Head Cap Screw - 5/16 - 18 X 3/4	N/A
44	2	Washer - M12 Lock	N/A



General Assembly Drawing