



TS100AD-TS200AD

Parts List
03-October-2017



This parts list is current as of the above revision date.

See <http://www.rheempartslists.net/92-42800-TS100AD-TS200AD.pdf> for the current revision.

Standby Generators

Table of Contents

Model Explanation.....	Page 3
Parts Numbers	
TS100AD Replacement Parts.....	Page 4
TS200AD Replacement Parts.....	Page 5
Drawings/Photographs	
Exploded View of TS100AD.....	Page 6
Exploded View of TS200AD.....	Page 7
Notes/Disclaimer	Page 8

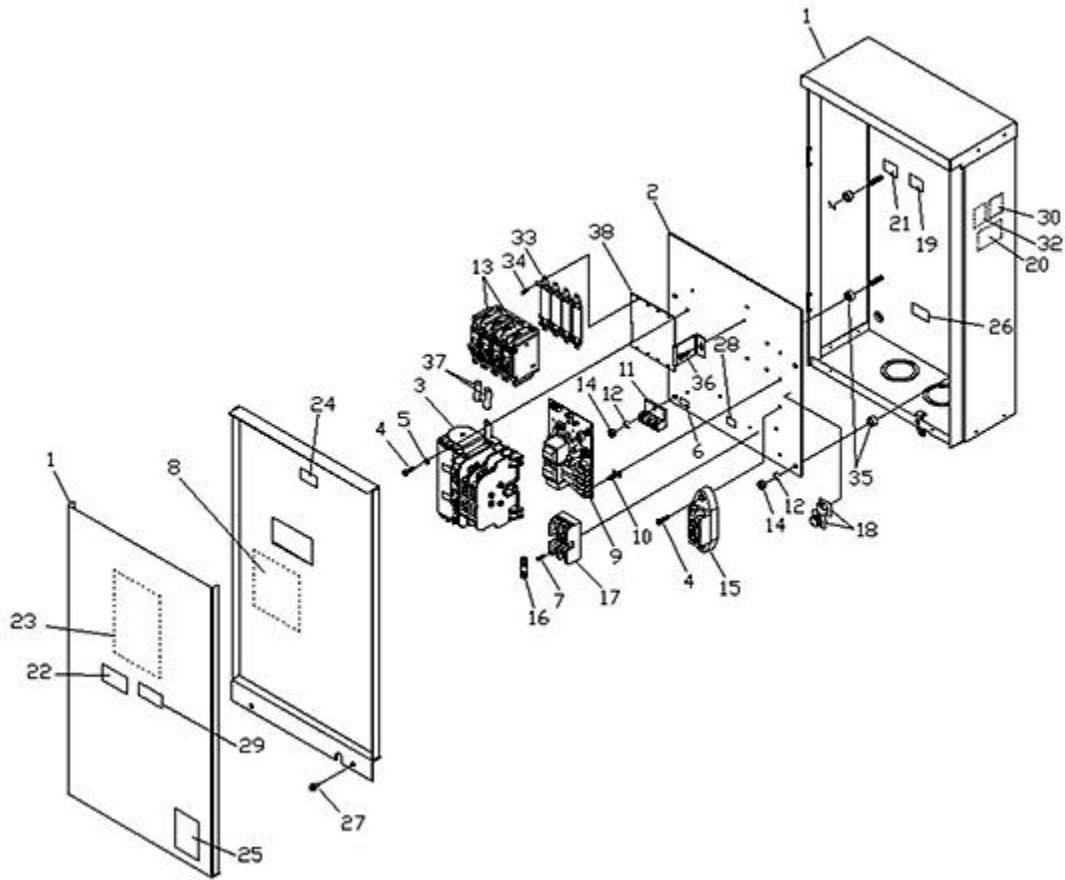
MODEL NUMBER EXPLANATION

T	S	1	0	0	A	D	
(1)				(2)			(3)

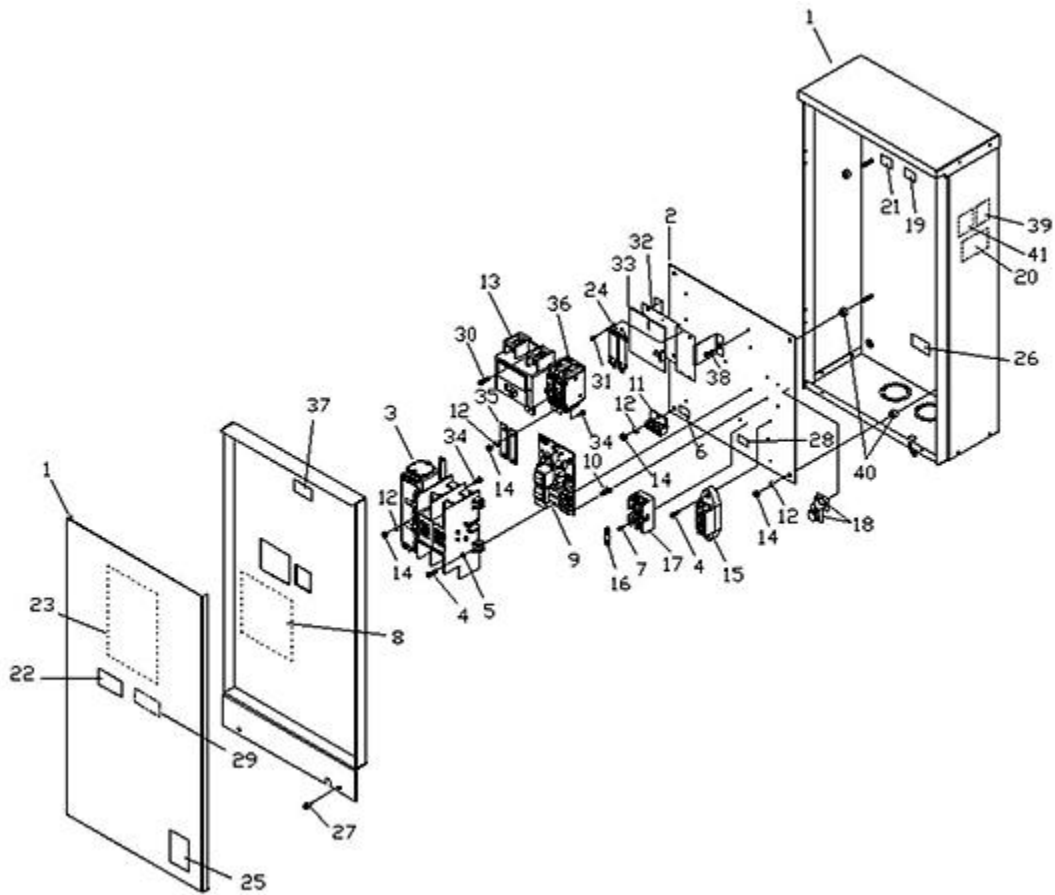
- (1) Product Type**
TS = Transfer Switch
- (2) Current Rating**
100A = 100 A
200A = 200 A
- (3) Disconnect Option**
D = Suitable for use as Service Disconnect
Blank = Not Suitable for use as Service Disconnect

No.	Notes	MODEL CURRENT RATING DISCONNECT OPTION	TS 100A D
REPLACEMENT PARTS			
1	1	Assembly - Enclosure	N/A
2	1	Back Panel	N/A
3		Transfer Switch - 100A - w/Handle	195667GS
4	2	Hex Head Screw - Trilobular - #10 - 32 X 1/2	N/A
5	2	Washer - Ext. Tooth - #10	N/A
6		Decal - Ground	CALL
7	2	Hex Head Screw - Trilobular - #6- 32 X 3/8	N/A
8		Insulation - Dead Front	CALL
9	Stk	Control Board	197279GS
10		Spacer - PCB Board	197979GS
11		Ground Lug	196094GS
12	2	Washer - Lock 1/4	N/A
13		Breaker Circuit - 100A	192882GS
14	2	Nut - 1/4 - 20	N/A
15		Terminal - Neutral	192696GS
16	Stk	Fuse	B4857GS
17		Fuse Holder	192151GS
18		Clip - Latching Wire	CALL
19		Decal - Logo	CALL
20		Decal - CT Warning	CALL
21		Decal - Connection - Utility	CALL
22		Decal - Logo	CALL
23		Decal - 100A ATS	CALL
24		Decal - Reinstall Barrier	CALL
25		Decal - Warning Shock	CALL
26		Decal - Fuse	CALL
27		Hex Head Screw - Trilobular - 1/4-20 X 1/2	CALL
28		Decal - Sensing - Utility	CALL
29		Decal - Breaker - Circuit	CALL
30		Decal - Contact Rating	CALL
32		Decal - Wire Circuits	CALL
33		Bracket - Circuit Breaker	CALL
34	2	Hex Head Screw - Trilobular - 8-32x 3/8	N/A
35		Spacer	192150GS
36	1	Decal - UL Listed	N/A
37		Decal - Copper Wire	CALL
38		Bracket - Circuit Breaker Mounting	CALL
		Current Transformer	195728GS

No.	Notes	MODEL CURRENT RATING DISCONNECT OPTION	TS 200A D
REPLACEMENT PARTS			
1	1	Assembly - Enclosure	N/A
2	1	Back Panel	N/A
3		Transfer Switch - 200A - w/Handle	195668GS
4	2	Hex Head Screw - Trilobular - #10 - 32 X 1/2	N/A
5	2	Washer - Ext. Tooth - #10	N/A
6		Decal - Ground	CALL
7	2	Hex Head Screw - Trilobular - #6- 32 X 3/8	N/A
8		Insulation - Dead Front	CALL
9	Stk	Control Board	197279GS
10		Spacer - PCB Board	197979GS
11		Ground Lug	196094GS
12		Washer - Lock 1/4	N/A
13		Breaker Circuit - 200A	192065GS
14		Nut - 1/4 - 20	N/A
15		Terminal - Neutral	192696GS
16	Stk	Fuse	B4857GS
17		Fuse Holder	192151GS
18		Clip - Latching Wire	CALL
19		Decal - Logo	CALL
20		Decal - CT Warning	CALL
21		Decal - Connection - Utility	CALL
22		Decal - Logo	CALL
23		Decal - 200A ATS	CALL
24		Bracket - Circuit Breaker	CALL
25		Decal - Warning Shock	CALL
26		Decal - Fuse	CALL
27		Hex Head Screw - Trilobular - 1/4-20 X 1/2	CALL
28		Decal - Sensing - Utility	CALL
29		Decal - Breaker - Circuit	CALL
30	2	Hex Head Screw - Trilobular - #10 - 32 X 3/4	N/A
31	2	Hex Head Screw - Trilobular - 8-32x 3/8	N/A
32		Bracket - Circuit Breaker Mounting	CALL
33		Insulation - Circuit Breaker	CALL
34	2	Phillips Pan Head Screw - 1/4-20x 3/4	N/A
35		Bus Bar	CALL
36		Circuit Breaker	192882GS
37		Decal - Reinstall Barrier	CALL
38	1	Decal ? UL Listed	N/A
39		Decal - Contact Rating	CALL
40		Spacer	192150GS
41		Decal - Wire Circuits	CALL
42		Current Transformer	195728GS



Exploded View of TS100AD



Exploded View of TS200AD

NOTES

N/A Not Applicable

Stk It is recommended that stock be maintained for this part.

CALL Part will be set-up on customer request

- 1 Non-serviceable part
- 2 Hardware store item

Power Systems Technical Support: 1-877-369-9400

DISCLAIMER: This document is intended to provide general replacement parts information to aid qualified service personnel in the repair of these models. The complete Model and Serial Number of the unit under repair should be specified when selecting and ordering replacement parts. Specifications and illustrations are subject to change without notice. Document 92-42800-TS100AD-TS200AD supersedes all previous parts lists for these models. See <http://www.rheempartslists.net/92-42800-TS100AD-TS200AD> for the latest revision of this document. The manufacturer assumes no obligation for errors or omissions. Service personnel must verify the proper and safe operation of equipment after the replacement of any original components.