



RANL

Parts List
06-January-2017

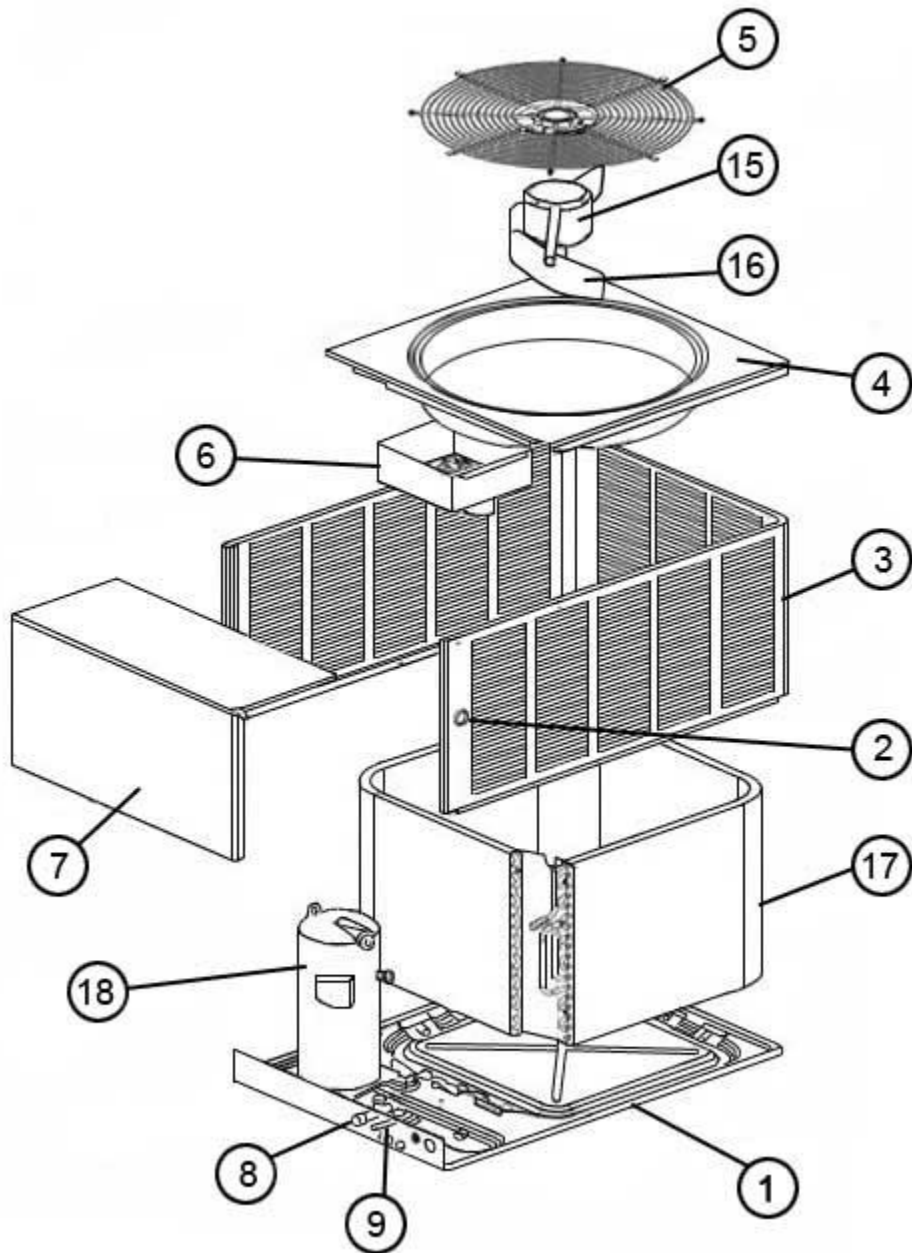


*This parts list is current as of the above revision date.
See <http://www.rheempartslists.net/92-42800-RANL.pdf> for the current revision.*

Condensing Units

No.	Notes	MODEL COOLING CAPACITY ELECTRICAL DESIGNATION	RANL -018 J	RANL -024 J	RANL -030 J	RANL -031 J	RANL -036 J	RANL -037 J
FAN GROUP								
15	Stk	Fan Motor - Before Date Code 2112	51-101774-04	See Below	51-101774-02	See Below	51-101774-02	51-102008-07
15	Stk	Fan Motor - On or After Date Code 2112	51-101774-20		51-101774-02		51-101774-02	51-102008-07
11	Stk	Capacitor - Compressor/Fan (2 inch diameter)	43-26261-40		43-101665-09		43-26271-41	43-26271-48
11	Stk	Capacitor - Compressor/Fan (2-1/2 inch diameter)	N/A		N/A		N/A	43-101665-48
16	Stk	Fan Blade - Before Date Code 2112	70-102011-05		70-100580-07		70-100580-07	70-100580-04
16	Stk	Fan Blade - On or After Date Code 2112	70-102011-21		70-100580-07		70-100580-07	70-100580-04
	2	Wiring Harness - 6 Pin on Board to single Quick Connect on Board (JEZ models only) - See Note 2	N/A		45-102120-01		45-102120-01	45-102120-01

No.	Notes	MODEL COOLING CAPACITY ELECTRICAL DESIGNATION	RANL -024 J	RANL -031 J		
FAN GROUP (before Date Code F3713, W1413)						
15	Stk	Fan Motor	51-101774-04	51-101774-04		
11	Stk	Capacitor - Compressor/Fan (2 inch diameter, 40/5/370)	43-101665-09	43-101665-09		
16	Stk	Fan Blade (3 blade)	70-100580-06	70-100580-06		
	2	Wiring Harness - 6 Pin on Board to single Quick Connect on Board (JEZ models only) - See Note 2	45-102120-01	45-102120-01		
FAN GROUP (On or After Date Code: F3713, W1413)						
After this date, different fan, motor and capacitor combinations may have been used interchangeably in production. If replacement of any component is required, all three parts should be replaced. For further information - See Note 3						
15	Stk,3	Fan Motor	51-104691-01	51-104691-01		
11	3	Capacitor - Compressor/Fan (2 inch diameter, 40/3/370)	43-101665-07	43-101665-07		
16	Stk,3	Fan Blade (2 blade)	70-101323-02	70-101323-02		



Exploded View