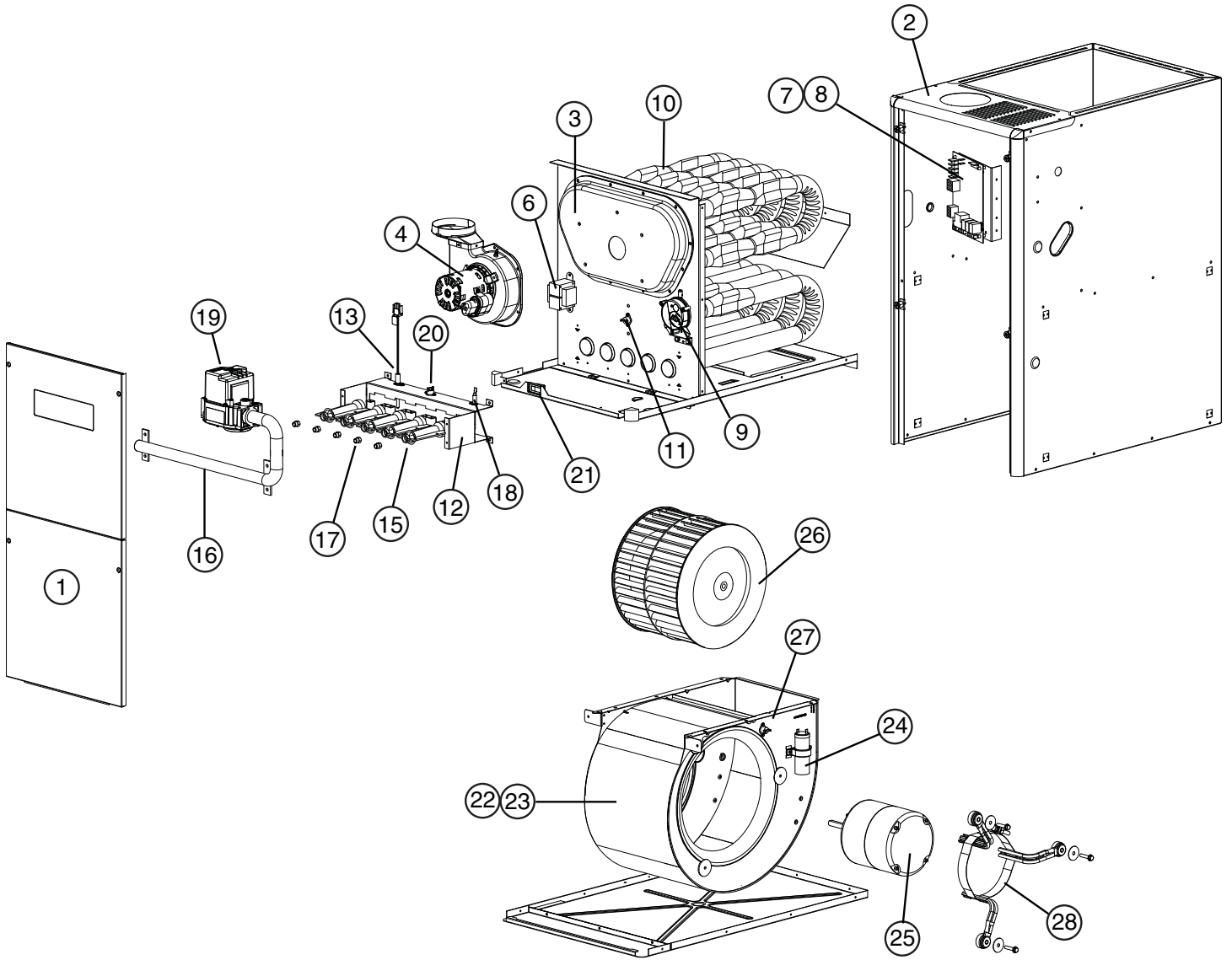


## MGC2SA Upflow / Horizontal Replacement Parts List 80+ AFUE

ITEM	DESCRIPTION	045-23A	054-23A	072-24B	090-24B	072-35C	090-35C	108-35C	126-45D
1	Door Set	904771	904771	904772	904772	904773	904773	904773	904774
2	Top Panel	295911R	295911R	295912R	295912R	295913R	295913R	295913R	295914R
3	Collector Pan with gasket	904805	904812	904806	904807	904808	904809	904810	904811
4	Inducer Motor	904796	904796	904796	904796	904796	904796	904796	904796
5	Inducer Gasket (Not Shown)	689988	689988	689988	689988	689988	689988	689988	689988
6	Transformer	622341	622341	622341	622341	622341	622341	622341	622341
7	Control Board	920915	920915	920915	920915	920915	920915	920915	920915
8	Fuse	632261	632261	632261	632261	632261	632261	632261	632261
9	Pressure Switch	632499	632489	632489	632489	632489	632489	632488	632520
10	Heat Exchanger	904779	904779	904780	904781	904782	904783	904868	904785
11	Main Air Limit	626563	626563	626561	626562	626567	626562	626561	626566
12	Burner Assembly	904819	904820	904822	904824	904822	904824	904826	904828
13	Igniter Assembly - Nitride	921074	921074	921074	921074	921074	921074	921074	921074
14	Igniter Bracket (Not Shown)	299261	299261	299261	299261	299261	299261	299261	299261
15	Inshot Burner	660921	660921	660921	660921	660921	660921	660921	660921
16	Manifold, Burner Tube	664228	664228	664229	664230	664229	664230	664231	664232
17	Orifice, Main Burner, Natural Gas	661049	661047	661047	661047	661047	661047	661047	661047
18	Flame Sensor	632484	632484	632484	632484	632484	632484	632484	632484
19	Gas Valve	624657	624657	624657	624657	624657	624657	624657	624657
20	Roll-Out Switch	626560	626560	626560	626560	626560	626559	626560	626560
21	Door Switch	632125	632125	632125	632125	632125	632125	632125	632125
22	Blower Assembly	904681	904681	904682	904682	904683	904683	904684	904684
23	Blower Housing Assembly	297200R	297200R	297207R	297207R	297204R	297204R	297209R	297209R
24	Capacitor	622133	622133	622133	622133	622135	622135	622135	622135
25	Motor, Blower	904857	904857	904858	904858	904859	904859	904860	904860
26	Wheel, Blower	667251	667251	667258	667258	667207	667207	667280	667280
27	Blower Limit	626581	626581	626581	626581	626581	626581	626581	626581
28	Repl. Motor Mount Kit	N/A	N/A	904951	904951	904980	904980	904951	904951
29	Hose, High Temp (Not Shown)	263967	263967	263967	263967	263967	263967	263967	263967
30	Set of Wires (Not Shown)	M0036001	M0036001	M0036001	M0036001	M0036005	M0036005	M0036005	M0036005

**FOR COMPONENT LOCATIONS, SEE PAGE 3**

# MGC2SA Upflow / Horizontal Component Location



## MGC2SK Downflow Replacement Parts List 80+ AFUE

ITEM	DESCRIPTION	054-23A	072-24B	090-24B	108-35C	126-45D
1	Door Set	904771	904772	904772	904773	904774
2	Top Panel	295911R	295912R	295912R	295913R	295914R
3	Collector Pan With Gasket	904901	904806	904921	904902	904811
4	Inducer Motor	904796	904796	904796	904796	904796
5	Inducer Gasket (Not Shown)	689988	689988	689988	689988	689988
6	Combustion Tube	299291	299291	299291	299291	299291
7	Transformer	622341	622341	622341	622341	622341
8	Control Board	920915	920915	920915	920915	920915
9	Fuse	632261	632261	632261	632261	632261
10	Pressure Switch	632488	632489	632489	632488	632488
11	Heat Exchanger	904779	904780	904781	904868	904785
12	Main Air Limit	626545	626563	626545	626564	626545
13	Burner Assembly	904820	904822	904824	904826	904828
14	Igniter Assembly - Nitride	921074	921074	921074	921074	921074
15	Igniter Bracket (Not Shown)	299261	299261	299261	299261	299261
16	Inshot Burner	660921	660921	660921	660921	660921
17	Manifold, Burner Tube	664228	664229	664230	664231	664232
18	Orifice, Main Burner, Natural Gas	661047	661047	661047	661047	661047
19	Flame Sensor	632484	632484	632484	632484	632484
20	Gas Valve	624657	624657	624657	624657	624657
21	Roll-out Switch	626559	626559	626560	626559	626559
22	Door Switch	632125	632125	632125	632125	632125
23	Blower Assembly	904681	904682	904682	904684	904684
24	Blower Housing Assembly	297200R	297207R	297207R	297209R	294209R
25	Capacitor	622133	622133	622133	622135	622135
26	Motor, Blower	904857	904858	904858	904860	904860
27	Wheel, Blower	667251	667258	667258	667280	667280
28	Blower Limit	626581	626581	626581	626581	626581
29	Repl. Motor Mount Kit	N/A	904951	904951	904951	904951
30	Hose, High Temperature (Not Shown)	263967	263967	263967	263967	263967
31	Set of Wires (Not Shown)	M0036035	M0036038	M0036038	M0036030	M0036030

**FOR COMPONENT LOCATIONS, SEE PAGE 5**

# MGC2SK Downflow Component Location

