



# SERVICE PARTS LIST

**BULLETIN NO.**  
**54-06-8910**

SPECIFY CATALOG NO. AND SERIAL NO. WHEN ORDERING PARTS		REVISED BULLETIN	DATE
<b>CORDLESS 12 VOLT WORKLIGHT</b>			Sept. 2008
CATALOG NO. <b>49-24-0145</b>	STARTING SERIAL NO. <b>B51A</b>	WIRING INSTRUCTION	

**EXAMPLE:**  
Component Parts (Small #) Are Included When Ordering The Assembly (Large #).

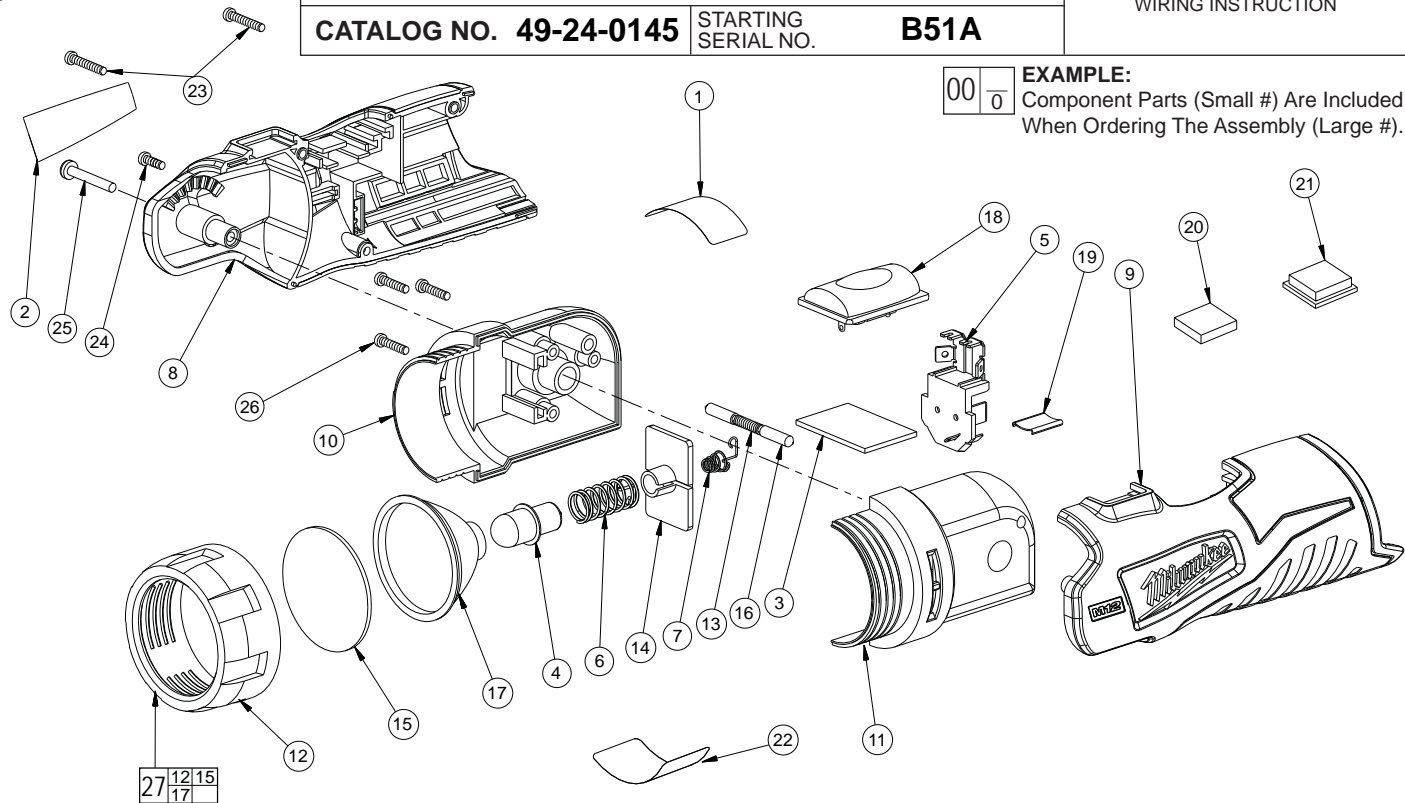


FIG.	PART NO.	DESCRIPTION OF PART	NO. REQ.	FIG.	PART NO.	DESCRIPTION OF PART	NO. REQ.
1	10-20-2705	Warning Label	(1)	17	-----	Reflector	(1)
2	12-20-2105	Service Nameplate Kit	(1)	18	-----	Push Button Switch	(1)
3	-----	PCB Assembly	(1)	19	-----	Retainer Clip	(1)
4	49-81-0020	12/14.4 Volt Light Bulb (Pkg. of 2)	(1)	20	-----	Magnet	(1)
5	-----	Connector Block	(1)	21	-----	Protective Cover	(1)
6	-----	Negative Contact	(1)	22	10-20-2750	Temperature Warning Label	(1)
7	-----	Positive Contact	(1)	23	-----	6 x 15 Pan Hd. T-9 Screw	(2)
8	-----	Handle Halve - Right	(1)	24	-----	6 x 8 Pan Hd. T-9 Screw	(1)
9	-----	Handle Halve - Left	(1)	25	-----	M3 x 20 Pan Hd. T-9 Screw	(1)
10	-----	Housing - Right	(1)	26	-----	6 x 12 Pan Hd. Phillips Screw	(3)
11	-----	Housing - Left	(1)	27	31-58-0710	Bezel Assembly	(1)
12	-----	Bezel	(1)				
13	-----	Compression Spring	(1)				
14	-----	Contact Holder	(1)				
15	-----	Lens	(1)				
16	-----	Detent Pin	(2)				

**NOTE:** The use of a soft cloth is recommended when installing lightbulbs. Direct contact with oils or other contamination can shorten the life of lightbulbs.

- 1 Black From PCB to Negative Contact
- 2 Red From PCB to Positive Contact
- 3 Red From PCB to Push Button Switch
- 4 Red From PCB to Push Button Switch
- 5 Yellow From PCB to Connector Block
- 6 Black From PCB to Connector Block

