



SERVICE PARTS LIST

BULLETIN NO.
54-06-2735

| | | | |
|--|---------------------|--------------------|-----------|
| SPECIFY CATALOG NO. AND SERIAL NO. WHEN ORDERING PARTS | | REVISED BULLETIN | DATE |
| CORDLESS 18 VOLT LED WORKLIGHT | | | Mar. 2012 |
| CATALOG NO. 2735-20 | STARTING SERIAL NO. | C12A | |
| | | WIRING INSTRUCTION | |

EXAMPLE:
Component Parts (Small #) Are Included When Ordering The Assembly (Large #).

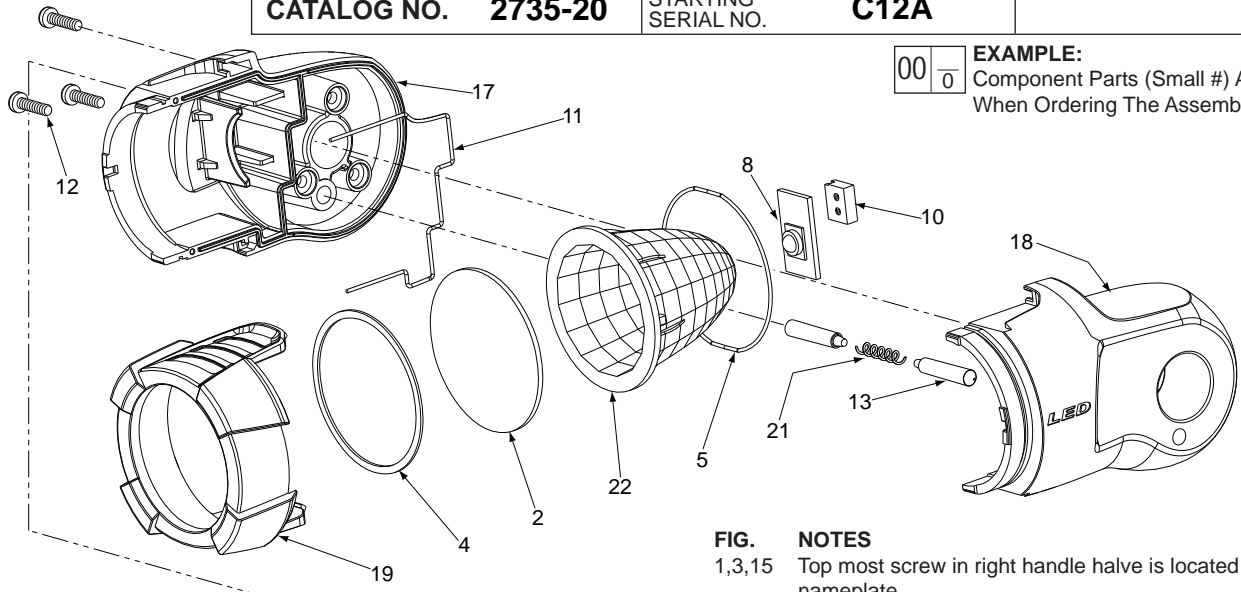
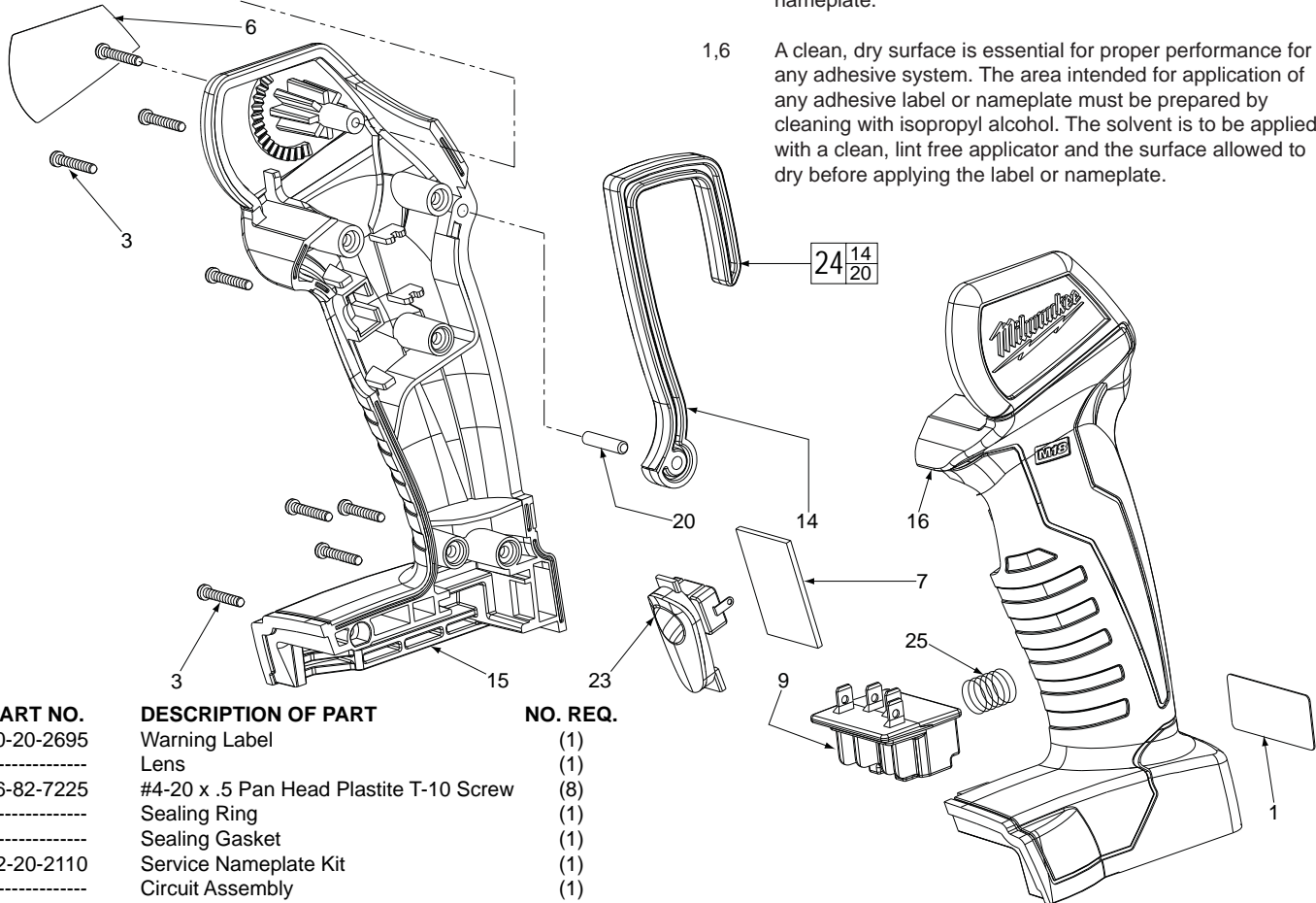


FIG. NOTES

1,3,15 Top most screw in right handle halve is located under the nameplate.

1,6 A clean, dry surface is essential for proper performance for any adhesive system. The area intended for application of any adhesive label or nameplate must be prepared by cleaning with isopropyl alcohol. The solvent is to be applied with a clean, lint free applicator and the surface allowed to dry before applying the label or nameplate.



| FIG. | PART NO. | DESCRIPTION OF PART | NO. REQ. |
|------|------------|---|----------|
| 1 | 10-20-2695 | Warning Label | (1) |
| 2 | ----- | Lens | (1) |
| 3 | 06-82-7225 | #4-20 x .5 Pan Head Plastite T-10 Screw | (8) |
| 4 | ----- | Sealing Ring | (1) |
| 5 | ----- | Sealing Gasket | (1) |
| 6 | 12-20-2110 | Service Nameplate Kit | (1) |
| 7 | ----- | Circuit Assembly | (1) |
| 8 | ----- | LED | (1) |
| 9 | ----- | 18 V Connector Block | (1) |
| 10 | ----- | Sealing Washer | (1) |
| 11 | ----- | Gasket | (1) |
| 12 | ----- | M3 Screw | (3) |
| 13 | ----- | Detent Pin | (2) |
| 14 | ----- | Hook | (1) |
| 15 | ----- | Right Handle Halve | (1) |
| 16 | ----- | Left Handle Halve | (1) |
| 17 | ----- | Right Housing | (1) |
| 18 | ----- | Left Housing | (1) |
| 19 | ----- | Bezel | (1) |

| FIG. | PART NO. | DESCRIPTION OF PART | NO. REQ. |
|------|------------|-----------------------------|----------|
| 20 | ----- | Pivot Pin | (1) |
| 21 | ----- | Compression Spring | (1) |
| 22 | ----- | Reflector | (1) |
| 23 | ----- | Push Button Switch | (1) |
| 24 | 43-74-0500 | Hook and Pivot Pin Assembly | (1) |
| 25 | 40-50-1090 | Compression Spring | (1) |