



SERVICE PARTS LIST

BULLETIN NO.
54-06-0025

SPECIFY CATALOG NO. AND SERIAL NO. WHEN ORDERING PARTS			REVISED BULLETIN	DATE
M12™ METAL LIGHT				Jan. 2016
CATALOG NO.	2355-20	STARTING SERIAL NO.	WIRING INSTRUCTION	
		H32A		

00 0

EXAMPLE:
Component Parts (Small #) Are Included
When Ordering The Assembly (Large #).

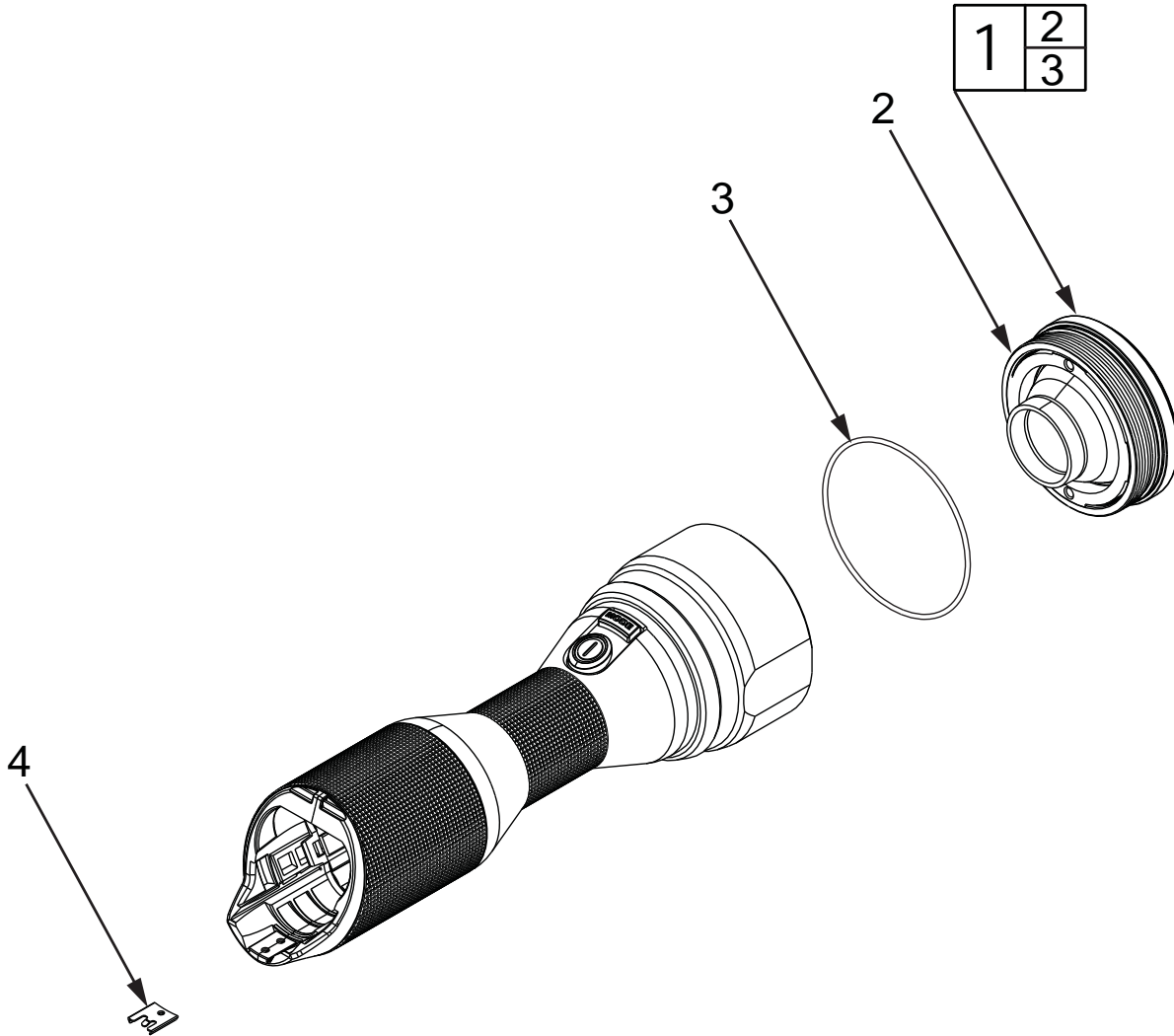


FIG.	PART NO.	DESCRIPTION OF PART	NO. REQ.
1	14-38-2355	Optic Assembly	(1)
2	-----	Bezel	(1)
3	34-40-2355	O-Ring	(1)
4	42-70-0058	Housing Clip	(1)
5	45-56-0405	Lanyard (Strap) (not shown)	(1)