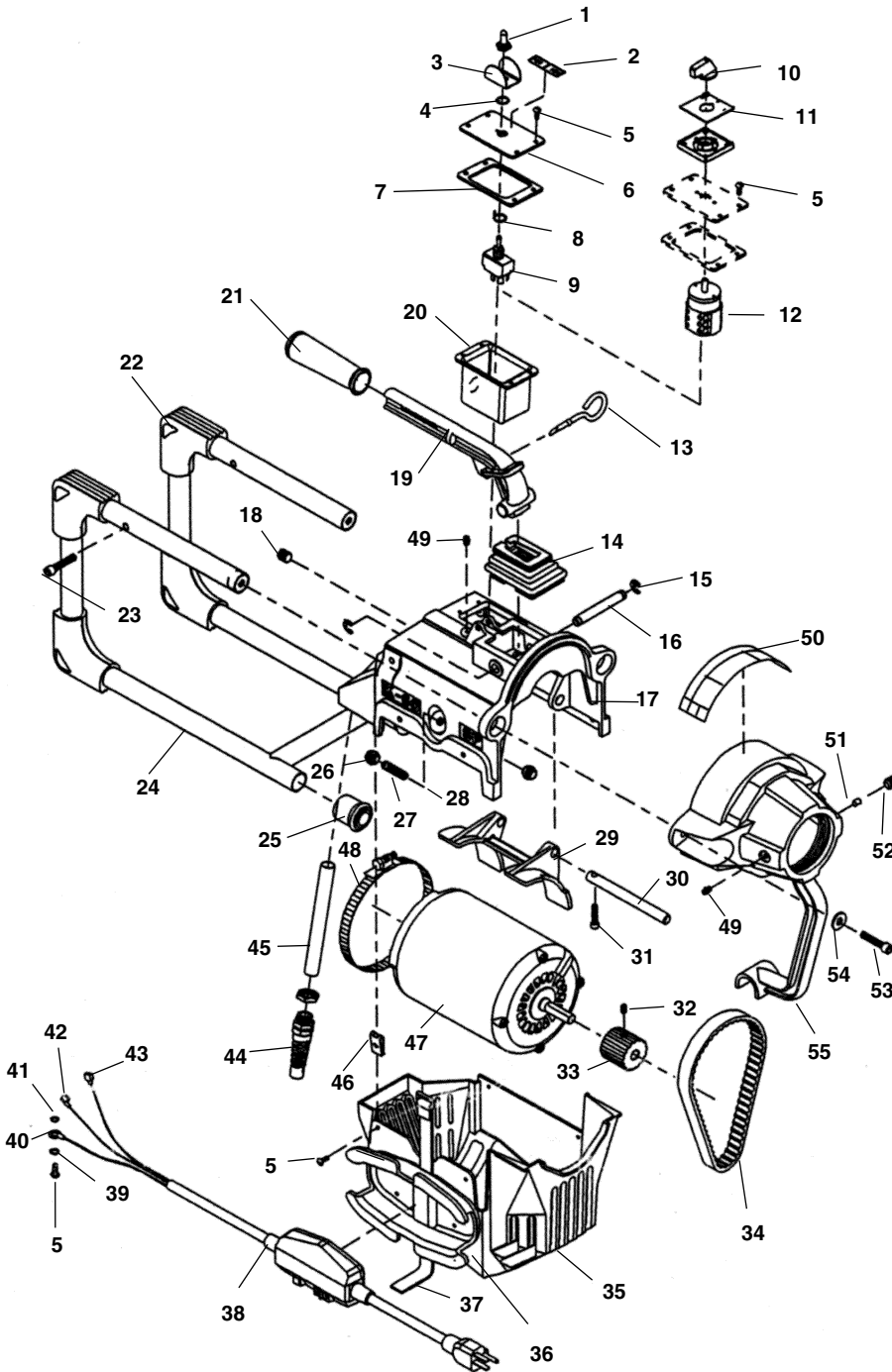


Main Body Components

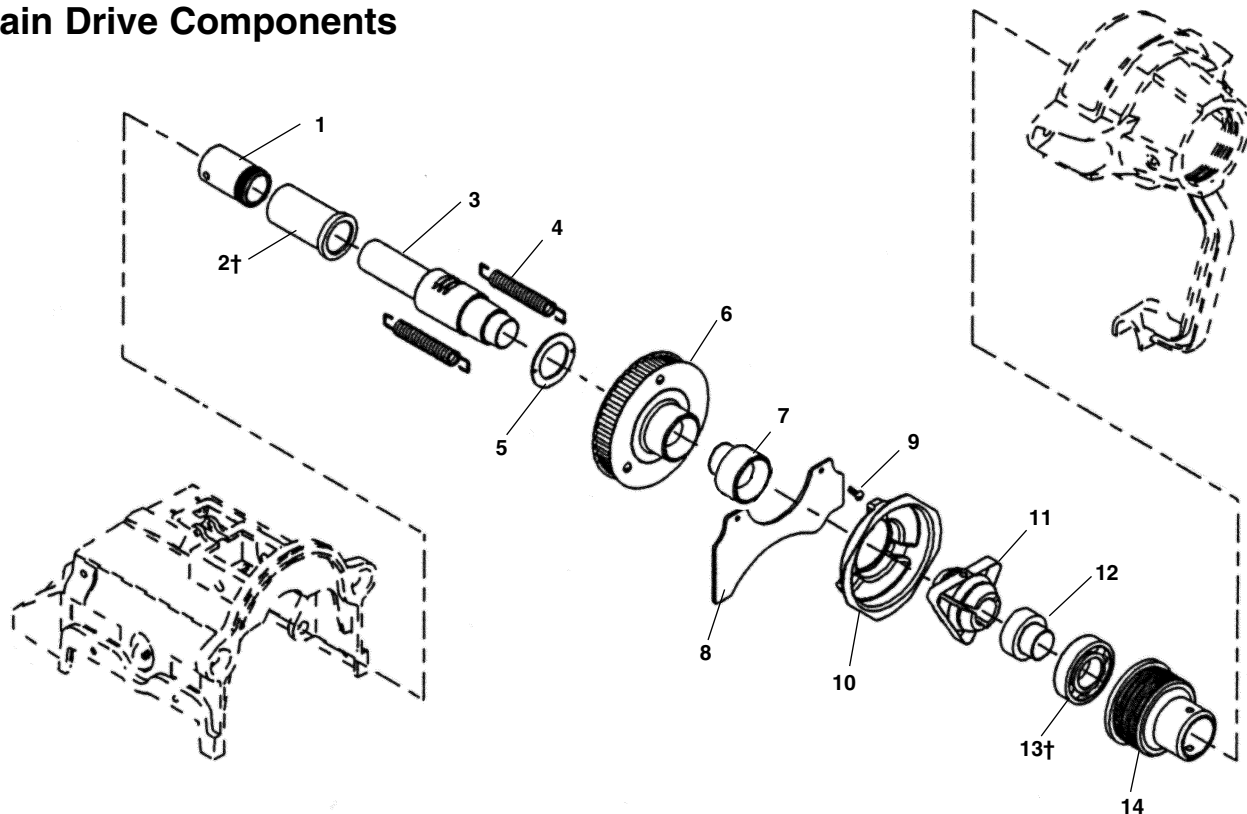
**NOTE: Order parts by Catalog Number only.
DO NOT order by Reference Number.**



| Ref. No. | Catalog No. | Description |
|----------|-------------|---|
| 1 | 23507 | Rubber Boot |
| 2 | 23687 | FOR/OFF/REV Decal |
| 3 | 61490 | Switch Guard |
| 4 | 23512 | Rubber Washer |
| 5 | 93585 | 10 - 24 x 1/2" Screw (9) |
| 6 | 65762 | Switch Box Cap |
| 7 | 66887 | Gasket |
| 8 | 66892 | Locking Ring |
| 9 | 23612 | Toggle Switch |
| 10 | 61397 | Switch Knob (Export) |
| 11 | 57517 | FOR/OFF/REV Switch Plate (Export) |
| 12 | 54157 | Switch (Export) |
| 13 | 59225 | Pin Key |
| 14 | 65852 | Rubber Boot |
| 15 | 65742 | Retaining Rings (2) |
| 16 | 65737 | Pinion Shaft |
| 17 | 65732 | Main Housing Assembly |
| 18 | 65867 | Plastic Socket Set Screw |
| 19 | 65747 | Handle Assembly w/Grip |
| 20 | 65757 | Switch Box |
| 21 | 60827 | Handle Grip |
| 22 | 65772 | Frame Bumpers (4) |
| 23 | 79685 | 3/16" - 18 x 1 1/2" Socket Screw (4) |
| 24 | 65767 | Frame Assembly w/Bumpers |
| 25 | 37962 | Rubber Foot (2) |
| 26 | 83545 | 3/8" - 16 Hex Jam Nut |
| 27 | 65782 | 3/8" Stud |
| 28 | 65787 | Nylon Acorn Nut |
| 29 | 65792 | Motor Mounting Bracket |
| 30 | 65797 | Motor Mounting Pin |
| 31 | 59935 | 1/4" - 20 x 1" Socket Screw |
| 32 | 87580 | 1/2" - 20 Set Screw |
| 33 | 65807 | Motor Pulley |
| 34 | 65802 | Belt |
| 35 | 65822 | Motor Shroud w/Cord Wrap (Inc. Ref No. 46) |
| 36 | 66907 | Cord Wrap w/Rivets |
| 37 | 48007 | Cinching Strap |
| 38 | 50497 | Replacement GFI Cord |
| — | 65842 | Replacement GFI Cord (Europe) |
| — | 66882 | Line Cord (Export) |
| — | 66757 | Accessory GFCI (Europe) |
| 39 | 61310 | Star Washer |
| 40 | 59955 | Ring Terminal |
| 41 | 87970 | #10 - 24 Nut |
| 42 | 59007 | Terminal |
| 43 | 59002 | Splicer |
| 44 | 65817 | Strain Relief w/Nut |
| 45 | 59342 | Insulator Tube |
| 46 | 65857 | Clips (4) |
| 47 | 65832 | Motor - 115V/60Hz |
| — | 65837 | Motor - 230V/50Hz (Europe) |
| — | 66872 | Motor - 115V/50Hz (Export) |
| 48 | 65812 | Bracket Strap (2) |
| 49 | 65657 | Grease Fitting (2) |
| 50 | 65667 | Warning Label |
| — | 65862 | Warning Label (Export) |
| 51 | 65662 | Nylon Plug |
| 52 | 42037 | 1/2" - 13 x 1/2" Screw |
| 53 | 79685 | 1/2" x 1 1/2" Socket Screw (2) |
| 54 | 60060 | Washer (2) |
| 55 | 65652 | Jaw Housing Assembly (Inc. Ref. #'s 49, 51, 52) |
| 56 | 67422 | Thermal Overload f/Motor) Not Shown) |

† - Apply Loctite® #411 to Frame Bumper (Ref. #22)

Main Drive Components



**NOTE: Order parts by Catalog Number only.
DO NOT order by Reference Number.**

| Ref. No. | Catalog No. | Description | Ref. No. | Catalog No. | Description |
|----------|-------------|----------------------|----------|-------------|--------------------------|
| 1 | 65727 | Steel Insert | 8 | 65697 | Baffle |
| 2† | 65722 | Sleeve Bearing | 9 | 61110 | 10 - 32 x 3/8" Screw (2) |
| 3 | 65712 | Shaft w/Rack | 10 | 65692 | Jawset Cover |
| 4 | 65717 | Extension Spring (2) | 11 | 65687 | Clutch Jaw |
| 5 | 65707 | Spring Plate | 12 | 65682 | Idler Cone |
| 6 | 65702 | Pulley Assembly | 13† | 65677 | Bearing (2) |
| 7 | 66897 | Drive Cone | 14 | 65672 | Adjustment Cap |

† – Apply Loctite® #642 to O.D of Sleeve Bearing (Ref. #2).

† – Apply Loctite® #642 to I.D. of Bearing (Ref. #13) prior to assembly into Shaft w/Rack (Ref. #3) and Idler Cone (Ref. #12).

Pulley Assembly

| Ref. No. | Catalog No. | Description |
|----------|-------------|--------------------------|
| — | 65702 | Pulley Assembly |
| 1 | 61110 | 10 - 32 x 3/8" Screw (6) |
| 2 | 66877 | Pulley Flange (2) |
| 3† | 65677 | Bearing (2) |
| 4 | 66902 | Pulley |

† – Apply Loctite® #642 to I.D. of Bearing (Ref. #3) prior to assembly into Shaft w/Rack (Ref. #3) and Idler Cone (Ref. #12).

