

HEAT PUMP JOBSITE INFORMATION SHEET

OWNER

Name

Address

City State Zip Code

Contact Phone

Requestor Date Requested

SERVICING CONTRACTOR

Name

Address

City State Zip Code

Contact Phone

EQUIPMENT DATA

OUTDOOR UNIT		EVAPORATOR	
Model #	<input style="width: 200px;" type="text"/>	Model #	<input style="width: 200px;" type="text"/>
Serial #	<input style="width: 200px;" type="text"/>	Serial #	<input style="width: 200px;" type="text"/>
Date Installed	<input style="width: 180px;" type="text"/>	Date Installed	<input style="width: 180px;" type="text"/>
AIR HANDLER		FURNACE	
Model #	<input style="width: 200px;" type="text"/>	Model #	<input style="width: 200px;" type="text"/>
Serial #	<input style="width: 200px;" type="text"/>	Serial #	<input style="width: 200px;" type="text"/>
Date Installed	<input style="width: 180px;" type="text"/>	Date Installed	<input style="width: 180px;" type="text"/>

DISTRIBUTOR

Name

Address

City State Zip Code

Contact Phone

Problem Summary

Corrective Actions Taken

Additional Information

ACCESSORIES? (Check those installed):

<input type="checkbox"/> Low Ambient kit	<input type="checkbox"/> Filter-Drier	<input type="checkbox"/> Accumulator	<input type="checkbox"/> Fossil Fuel Kit: Type: <input style="width: 150px;" type="text"/>
<input type="checkbox"/> Compressor Time Delay	<input type="checkbox"/> Compressor Sound Enclosure	<input type="checkbox"/> Discharge Line Muffler	
<input type="checkbox"/> Mild Weather Kit	<input type="checkbox"/> Oil Separator	<input type="checkbox"/> Hot Water Recovery	<input type="checkbox"/> Other <input style="width: 150px;" type="text"/>
<input type="checkbox"/> Crankcase Heater	<input type="checkbox"/> High Pressure Cutout	<input type="checkbox"/> Heat Pump Monitor	
<input type="checkbox"/> Hard Start Kit	<input type="checkbox"/> Low Pressure Cutout	<input type="checkbox"/> Hot Gas Bypass	
		<input type="checkbox"/> Pump Down Kit	

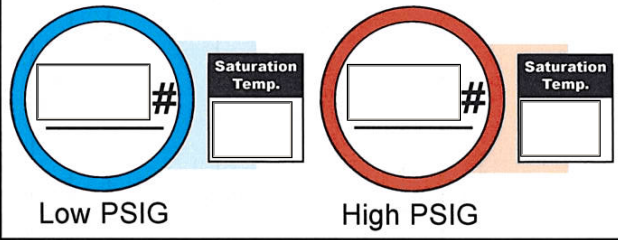
HEAT PUMP JOBSITE INFORMATION SHEET

REMEMBER:

1. Circle Metering device used.
2. Circle Yes or No at drier locations.
3. Circle Service Ports used.
4. Sat. Temp. is pressure converted to Temp.

Circle One

- Heat Mode
- Cool Mode



Formula For Super Heat

Vapor Line Temp.

- Minus Sat Temp.

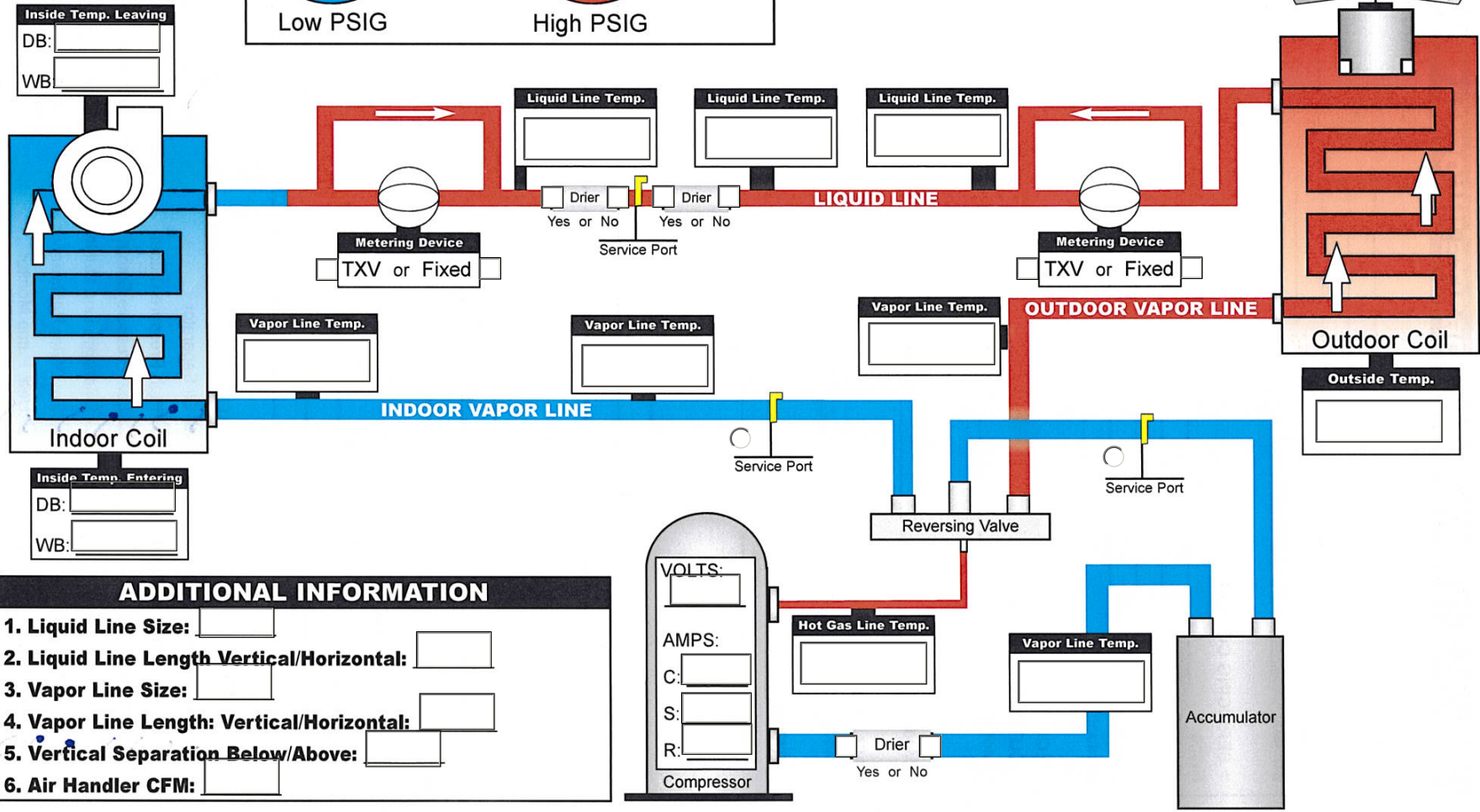
Equals Super Heat

Formula For Sub Cooling

Sat Temp.

- Minus Liquid Line Temp.

Equals Sub Cooling



ADDITIONAL INFORMATION

1. Liquid Line Size:
2. Liquid Line Length Vertical/Horizontal:
3. Vapor Line Size:
4. Vapor Line Length Vertical/Horizontal:
5. Vertical Separation Below/Above:
6. Air Handler CFM: