

Gas Heating checklist



AFUE _____

Data plate Info.

Model # _____ Serial # _____
Temp Rise _____ (2 stage only) High fire _____ Low fire _____
BTUH Input _____ Output _____
Manifold pressure _____ (2 Stage only) High fire _____ Low fire _____
Supply pressure min. _____ max. _____ Type of fuel _____
Upflow _____ Downflow _____ Horiz _____ Self contained _____

Combustion Test	
CO	_____
CO Air Free	_____
CO2	_____
O2	_____
Comb. Eff.	_____
Stack Temp.	_____
Draft	_____ in. wc.

Maintenance checks and evaluations

Burners Cleaned/Properly aligned and in the same order they were removed. **Y** or **N**

Pilot, proving and ignition devices installed in original location. **Y** or **N**

Type of ignition device. _____ Cleaned/Checked
How? _____

Type of ignition proving device _____ Cleaned/Checked
How? _____ Micro-amp reading (if applicable) _____

Vent motor proving device (if applicable)? How was this checked? _____
Type _____

Blower Motor: Oiled **Y** or **N** FLA _____ Actual amperage _____ Capacitor rating _____
Blower wheel checked-does it need to be cleaned? _____ Actual capacitance w/meter _____

Blower off setting: Time (seconds) _____ Temp in duct when blower turns off _____

Limit tested: **Y** or **N** Cleaned/Checked How _____

Calibration checks

Supply pressure _____
Manifold pressure _____ (2 Stage only) High fire _____ Low fire _____

Temp rise/ Blower Speed: _____ / _____ (2 stage only) High fire _____ / _____ Low fire _____ / _____

CO Level: In the Flue before blower turns on _____ ppm After blower turns on _____ ppm
Supply duct _____ ppm Return duct _____ ppm

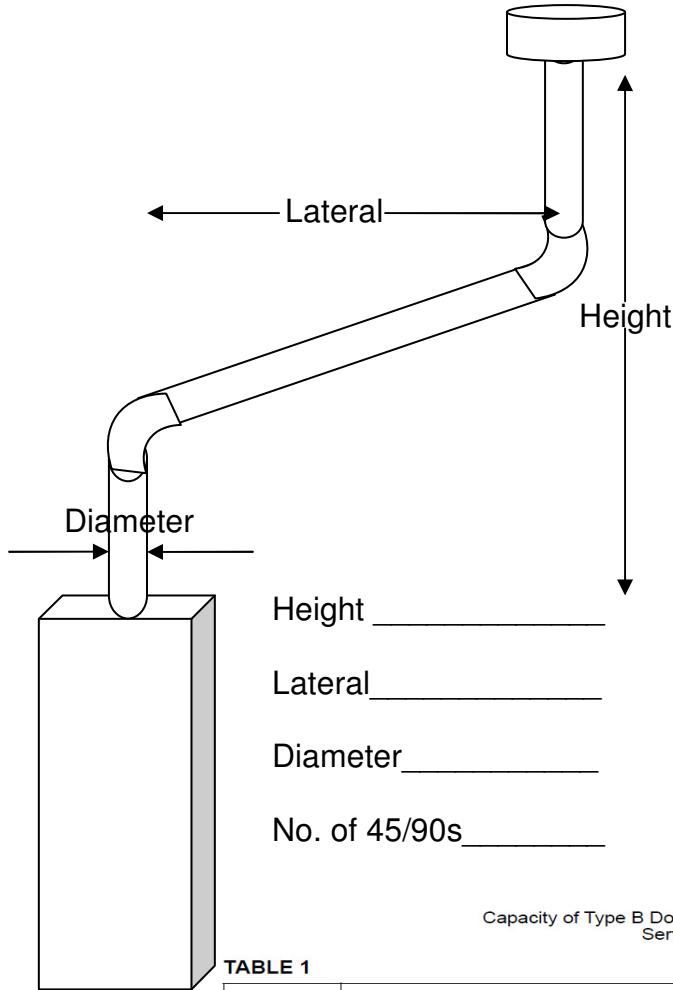
Gas leaks checked: **Y** or **N** How and where _____

Vent Type Single wall B-Vent PVC Is the system vented properly? _____

FOR SERVICE ONLY - Clocking the meter:

Time per revolution _____ Dial size _____ Heating Value* _____ X Cu.Ft. _____ = Input _____
Cu. Ft. Gas = $3600 \times \frac{\text{Smallest Dial Size}}{\text{No. of Seconds of 1 Revolution}}$ *BTU value of fuels : Natural 1050 LP 2516

Vent pipe installation



ROOF PITCH	MINIMUM HEIGHT
FLAT TO 7/12	1.0 FEET*
OVER 7/12 TO 8/12	1.5 FEET
OVER 8/12 TO 9/12	2.0 FEET
OVER 9/12 TO 10/12	2.5 FEET
OVER 10/12 TO 11/12	3.25 FEET
OVER 11/12 TO 12/12	4.0 FEET
OVER 12/12 TO 14/12	5.0 FEET
OVER 14/12 TO 16/12	6.0 FEET
OVER 16/12 TO 18/12	7.0 FEET
OVER 18/12 TO 20/12	7.5 FEET
OVER 20/12 TO 21/12	8.0 FEET

*THIS REQUIREMENT COVERS MOST INSTALLATIONS

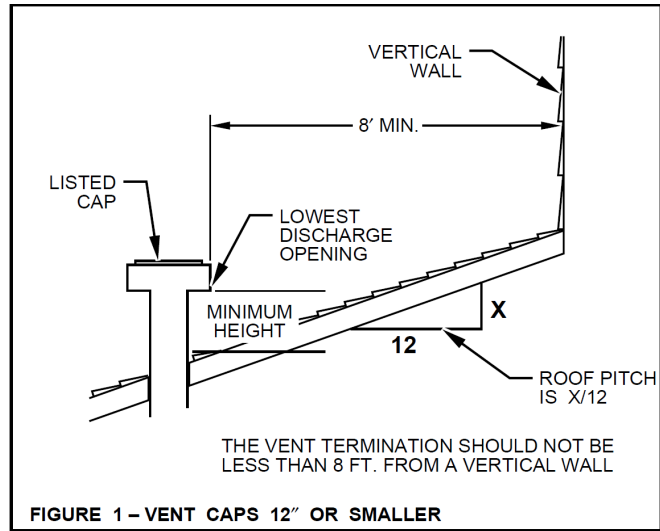


FIGURE 1 - VENT CAPS 12" OR SMALLER

VENT TABLES

Capacity of Type B Double-Wall Vents with Type B Double-Wall Connectors Serving a Single Category I Appliance

TABLE 1

Height H (ft)	Lateral L (ft)	Vent and Connector Diameter - D (inches)																				
		3"		4"			5"			6"			7"			8"			9"			
		Appliance Input Rating in Thousands of Btu Per Hour																				
		FAN		NAT	FAN		NAT	FAN		NAT	FAN		NAT	FAN		NAT	FAN		NAT			
		Min	Max	Max	Min	Max	Max	Min	Max	Max	Min	Max	Max	Min	Max	Max	Min	Max	Max	Min	Max	Max
6	0	0	78	46	0	152	86	0	251	141	0	375	205	0	524	285	0	698	370	0	897	470
	2	13	51	36	18	97	67	27	157	105	32	232	157	44	321	217	53	425	285	63	543	370
	4	21	49	34	30	94	64	39	153	103	50	227	153	66	316	211	79	419	279	93	536	362
	6	25	46	32	36	91	61	47	149	100	59	223	149	78	310	205	93	413	273	110	530	354
8	0	0	84	50	0	165	94	0	276	155	0	415	235	0	583	320	0	780	415	0	1006	537
	2	12	57	40	16	109	75	25	178	120	28	263	180	42	365	247	50	483	322	60	619	418
	5	23	53	38	32	103	71	42	171	115	53	255	173	70	356	237	83	473	313	99	607	407
	8	28	49	35	39	98	66	51	164	109	64	247	165	84	347	227	99	463	303	117	596	396
10	0	0	88	53	0	175	100	0	295	166	0	447	255	0	631	345	0	847	450	0	1096	585
	2	12	61	42	17	118	81	23	194	129	26	289	195	40	402	273	48	533	355	57	684	457
	5	23	57	40	32	113	77	41	187	124	52	280	188	68	392	263	81	522	346	95	671	446
	10	30	51	36	41	104	70	54	176	115	67	267	175	88	376	245	104	504	330	122	651	427
15	0	0	94	58	0	191	112	0	327	187	0	502	285	0	716	390	0	970	525	0	1263	682
	2	11	69	48	15	136	93	20	226	150	22	339	225	38	475	316	45	633	414	53	815	544
	5	22	65	45	30	130	87	39	219	142	49	330	217	64	463	300	76	620	403	90	800	529
	10	29	59	41	40	121	82	51	206	135	64	315	208	84	445	288	99	600	386	116	777	507
	15	35	53	37	48	112	76	61	195	128	76	301	198	98	429	275	115	580	373	134	755	491
20	0	0	97	61	0	202	119	0	349	202	0	540	307	0	776	430	0	1057	575	0	1384	752
	2	10	75	51	14	149	100	18	250	166	20	377	249	33	531	346	41	711	470	50	917	612
	5	21	71	48	29	143	96	38	242	160	47	367	241	62	519	337	73	697	460	86	902	599
	10	28	64	44	38	133	89	50	229	150	62	351	228	81	499	321	95	675	443	112	877	576
	15	34	58	40	46	124	84	59	217	142	73	337	217	94	481	308	111	654	427	129	853	557
	20	48	52	35	55	116	78	69	206	134	84	322	206	107	464	295	125	634	410	145	830	537